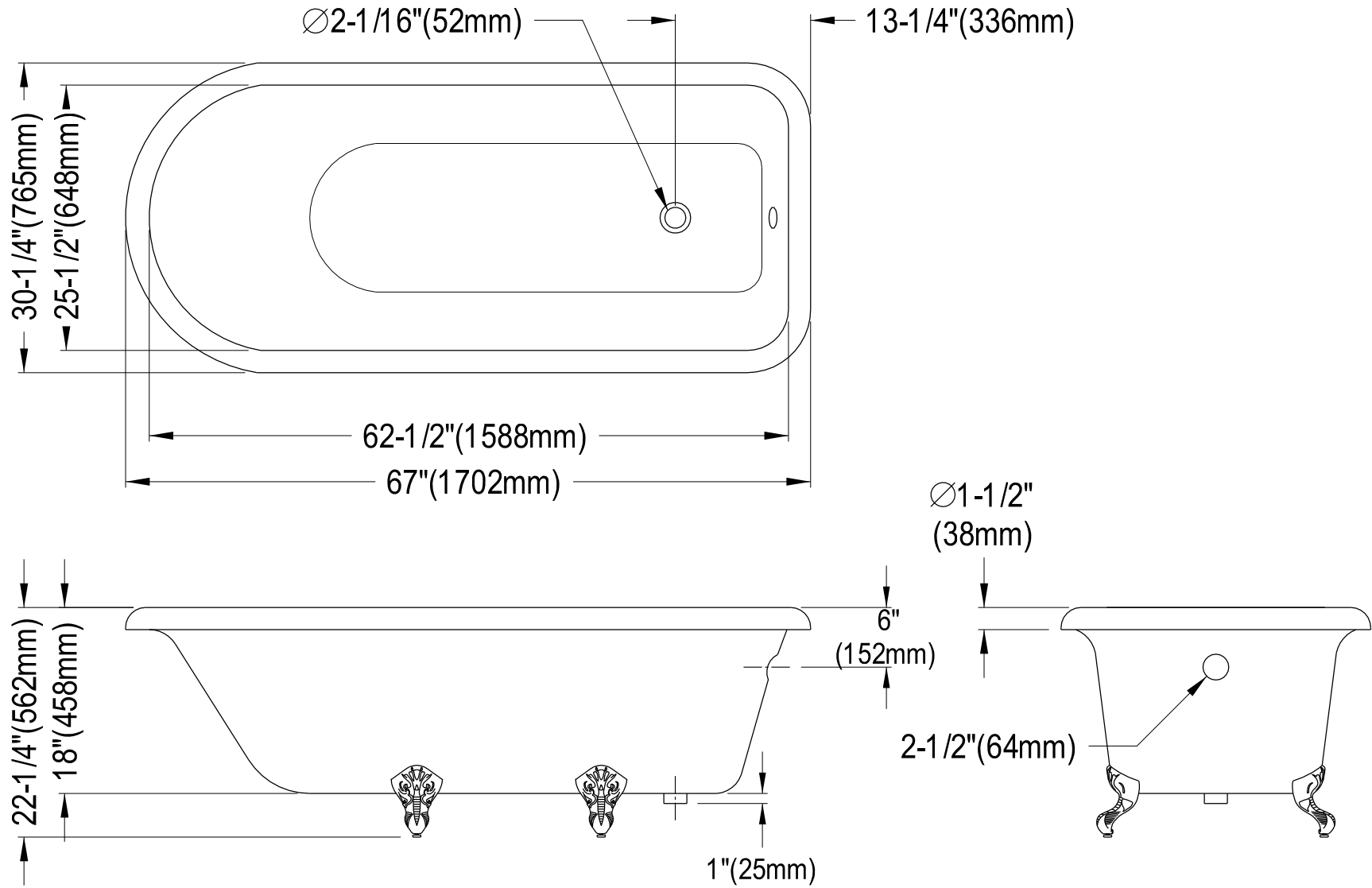
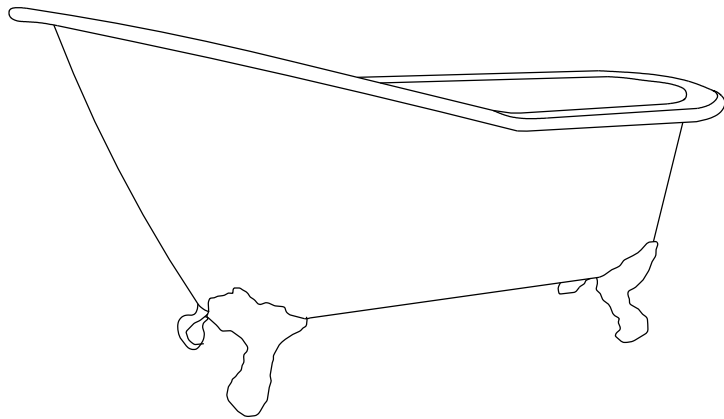


VCTND6731 23T1, 2, 5, 8, W, K

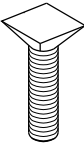

Cast Iron Bathtub Without Drill Hole



Safe & Anti-Slide Cast Iron Bath Tub Installation

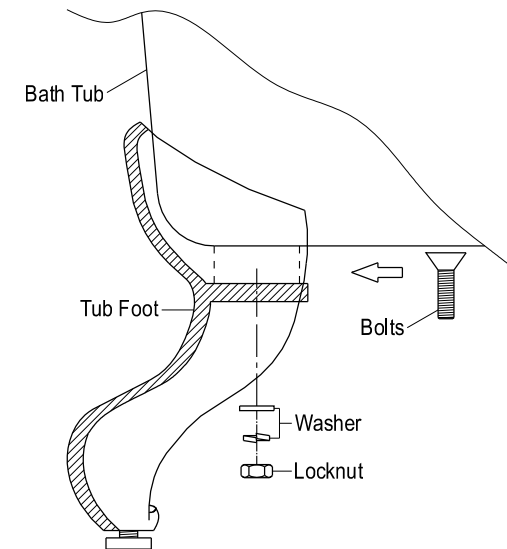


Parts:

Bolts	Washer & Locknut
	
4 Pcs	4 Pcs

TOOLS REQUIRED:

Socket Set (including 5/8" & 9/16")
Rubber Mallet
Adjustable Wrench



Installation Steps:

- Step 1. Turn tub over and set on non-abrasive mat, insert pyramid bolts into the mounting slot at the bottom of the tub
- Step 2. Align the feet with the bolt, insert leg, washers and nut and tighten loosely, the legs marked "F" are to be installed in the front side of the tub, (drain side) and the legs marked "C" are to be installed in the back (side opposite drain side).
- Step 3. Adjust leg for proper fit, it might be necessary to tap with rubber mallet to insure a good position.
- Step 4. Retighten bolts
- Step 5. When all four legs have been installed, turn tub over carefully as not to damage the finish.
- Step 6. If tub wobbles, adjust leg by raising or lowering leg adjustment bolt at the bottom of each leg.
- Step 7. Apply cushions to the bottom of each leg. (included in your installation package)

Cleaning

Clean with a damp cloth only.
Avoid using metal or abrasive polishes.